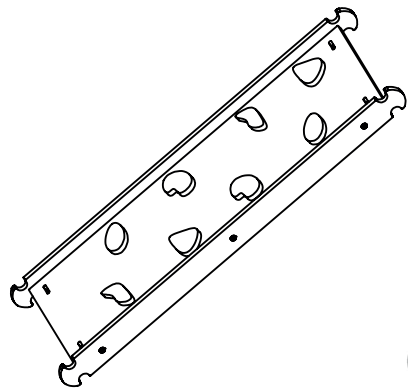


KateHaa

WOODEN TOYS & CHILDREN'S FURNITURE

WOODEN ACTIVITY TOY CLIMBING RAMP



CE

INSTRUCTIONS FOR ASSEMBLY,
MAINTENANCE AND SAFE USE.

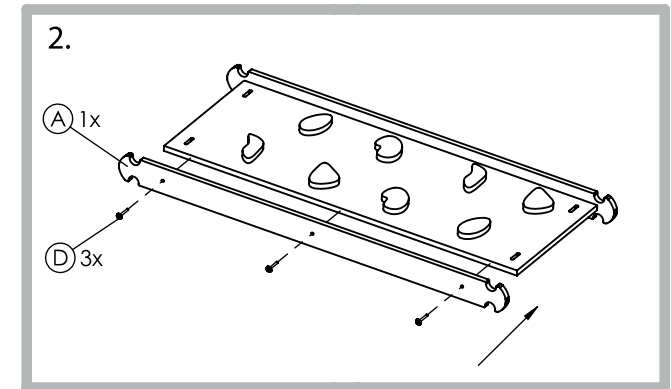
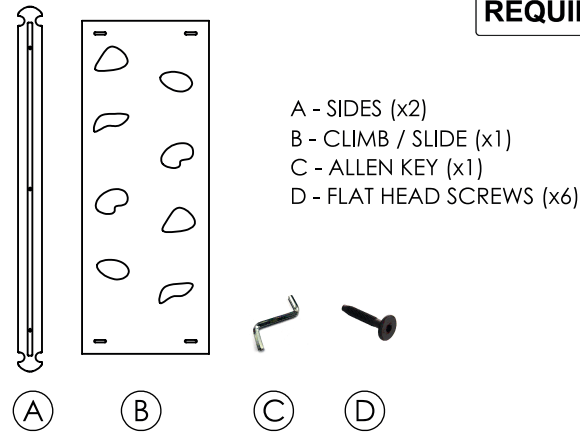
MADE IN LATVIA

KateHaa SIA

Production & Warehouse:
"Slavas", Tinuzi, Ogre region,
Latvia, LV-5015
Email: info@katehaa.com
www.katehaa.com

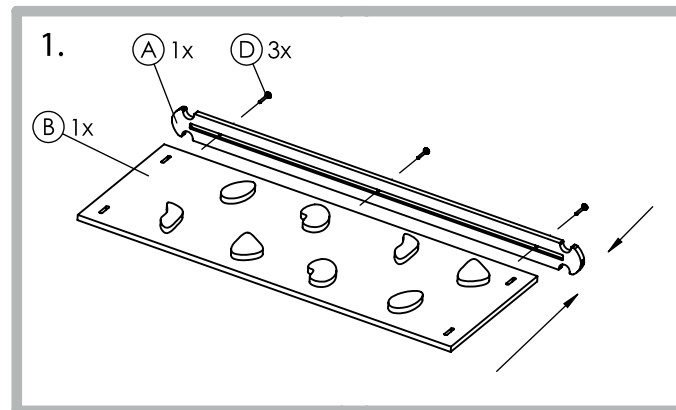
The package contains:

**ADULT
ASSEMBLY
REQUIRED**



Note: - Use ALLEN KEY (C) to screw the SCREWS (D) into the predrilled holes.
- For easier assembly we recommend to split the 2th step in steps 2.1. and 2.2.
At first (2.1.) screw in all the SCREWS (D) fill half. Just at the second step (2.2.) tighten them completely.

Please follow these steps:



Thank you!

FOLLOW US ON:

[katehaa.toys](https://www.facebook.com/katehaa.toys)

[katehaa.toys](https://www.instagram.com/katehaa.toys)

*KateHaa SIA protects it's unique designs worldwide
with patents and design registrations.*

