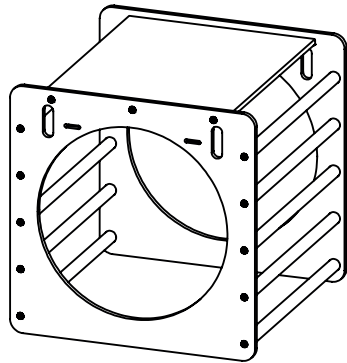


KateHaa

WOODEN TOYS & CHILDREN'S FURNITURE

WOODEN ACTIVITY TOY EXPLORER ACTIVITY CUBE



CE

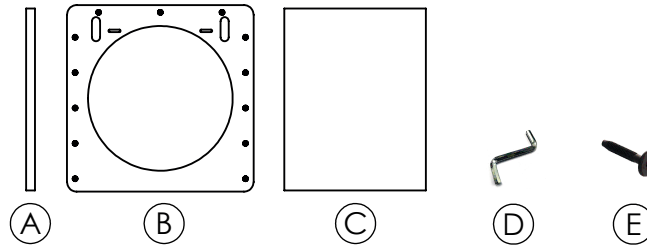
INSTRUCTIONS FOR ASSEMBLY,
MAINTENANCE AND SAFE USE.

MADE IN LATVIA

KateHaa SIA

Production & Warehouse:
"Slavas", Tinuzi, Ogre region,
Latvia, LV-5015
Email: info@katehaa.com
www.katehaa.com

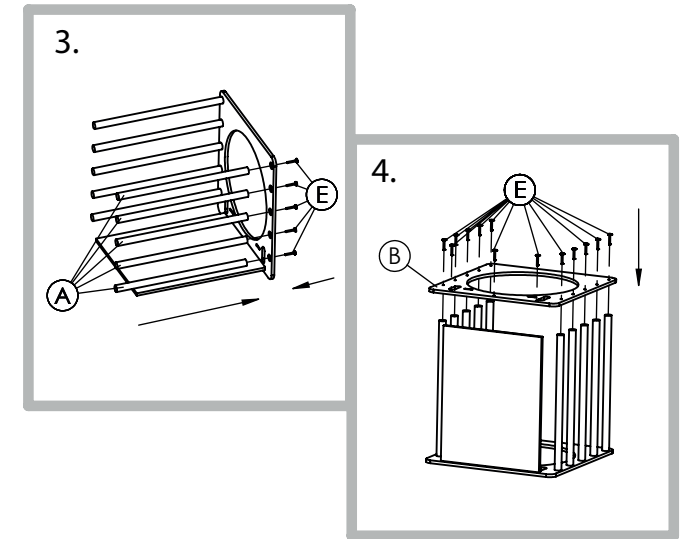
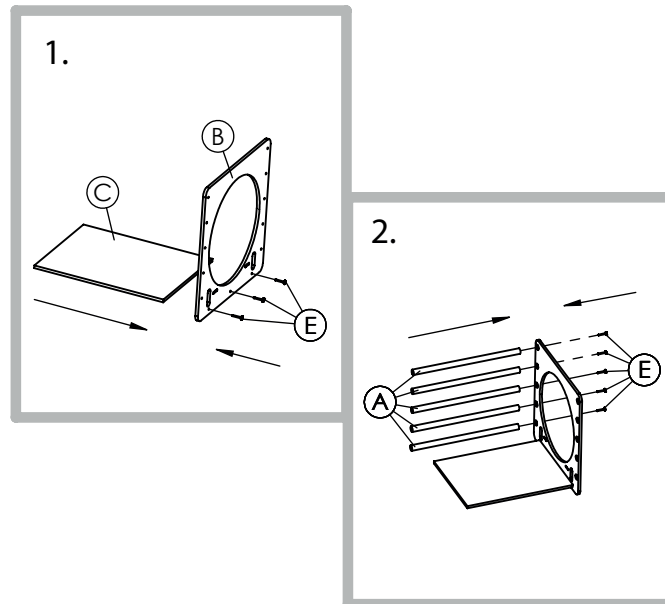
The package contains:



- A - WOODEN BARS (X10)
- B - OPEN SIDES (X2)
- C - CENTER PLATFORM (X1)
- D - ALLEN KEY (X1)
- E - FLAT HEAD SCREWS (X26)

**ADULT
ASSEMBLY
REQUIRED**

Please follow these steps:



- Note:
- Use ALLEN KEY (D) to screw the SCREWS (E) into the predrilled holes.
 - Use your hand to hold the WOODEN BARS (A) during assembling.
 - WOODEN BARS (A) are not allowed to constantly turn around during assembling.
 - For easier assembly we recommend to split the 4th step in steps 4.1. and 4.2. At first (4.1.) screw in all the SCREWS (E) till half. Just at the second step (4.2.) tighten them completely.

Thank you!

FOLLOW US ON:

 [katehaa.toys](https://www.facebook.com/katehaa.toys)

 [katehaa.toys](https://www.instagram.com/katehaa.toys)

*KateHaa SIA protects it's unique designs worldwide
with patents and design registrations.*

